

BBC-6K-120A




VESSEL NAME	BUILT	IMO NO.	FLAG	VESSEL NAME	BUILT	IMO NO.	FLAG
BBC PACIFIC ⁽¹⁾	2007	9427081	Antigua & Barbuda	BBC MARMARA ⁽¹⁾	2010	9454228	Portugal
BBC AUSTRALIA ⁽²⁾	2010	9569528	Antigua & Barbuda	BBC OCEAN ⁽²⁾	2011	9569530	Antigua & Barbuda

MAIN DATA

TYPE	
Vessel type	Multipurpose Tweendecker
Classification	DNV

TONNAGE	
Deadweight (summer)	6,300 mt
GT / NT	5,232 / 2,382

DIMENSIONS	
Max. draft (summer)	5.70 m
Length o.a.	115.50 m
Length between pp.	111.63 m
Breadth moulded	16.50 m
Depth to main deck	7.95 m
Height above keel	29.40 m

SPEED		
Max. speed	⁽¹⁾ 13.00 knots	⁽²⁾ 12.00 knots
Intermediate speed	⁽¹⁾ 11.50 knots	⁽²⁾ 11.00 knots
Reduced speed 	⁽¹⁾ 10.50 knots	⁽²⁾ 10.00 knots

HOLDS / HATCHES / CRANES

CARGO GEAR		
Crane manufacturer	NMF	(portside)
Lifting capacity	2 x 60 mt	

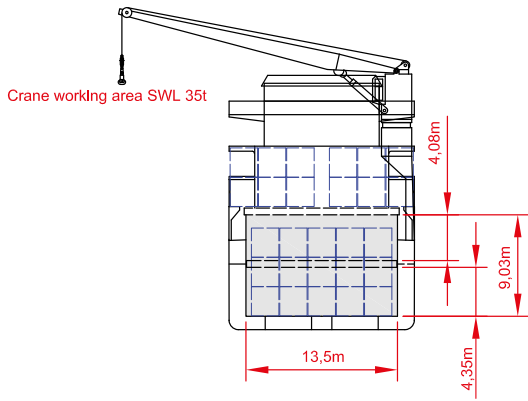
CONTAINER CAPACITY			
Nominal capacity	336 TEU		
At 14 mt homog. loaded	330 TEU		
Stackweights on deck	20' = 35.00 mt	40' = 45.00 mt	
Stackweights tanktop	20' = 75.00 mt	40' = 100.00 mt	

DECK STRENGTHS	
Tanktop	15.00 mt / sqm
Tweendeck hold 1	2.20 mt / sqm
Tweendeck hold 2	2.50 mt / sqm
Hatchcovers	1.75 mt / sqm

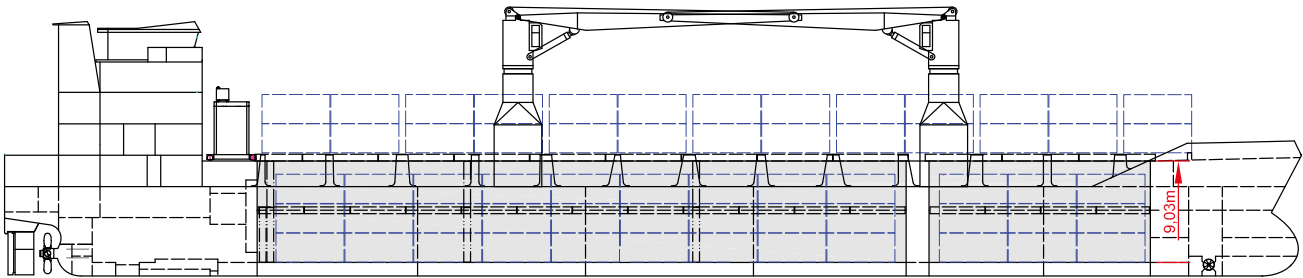
HOLDS / HATCHES		
Cargo hold capacity	9,329 cbm	329,450 cbft
Floor space under deck	2,093 sqm	22,529 sqft
Floor space on deck	1,046 sqm	11,259 sqft

SPECIAL EQUIPMENT / FEATURES

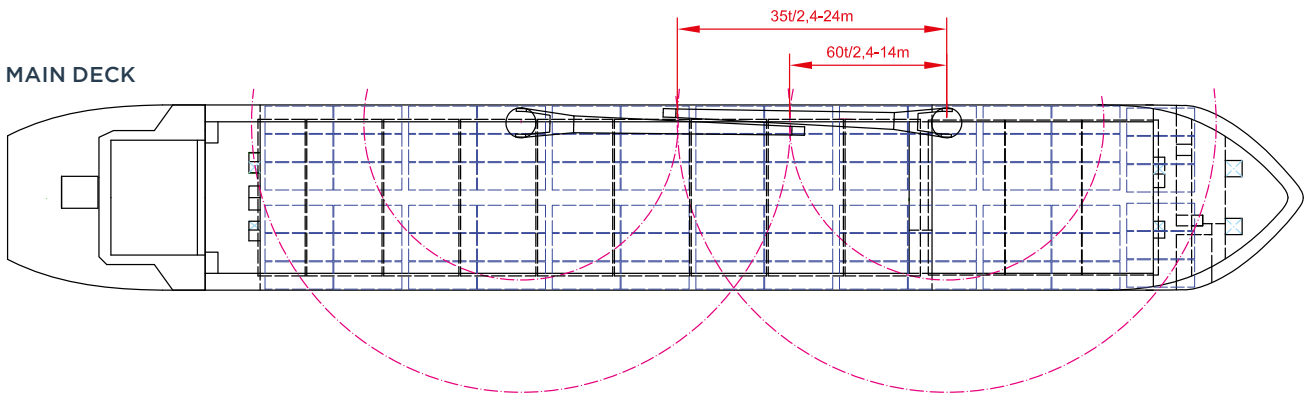




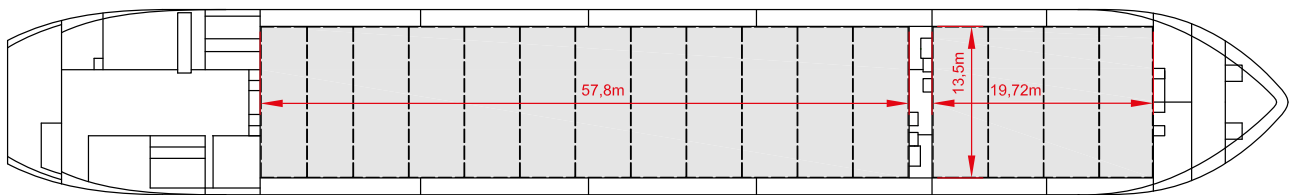
SIDE VIEW



MAIN DECK



TWENDECK



HOLDS & DOUBLE BOTTOM

