



Vessel name	Built	IMO no.	Flag	Vessel name	Built	IMO no.	Flag
S. Rafael	2000	9196931	Antigua & Barbuda	Ruby	2001	9251509	Gibraltar

MAIN DATA

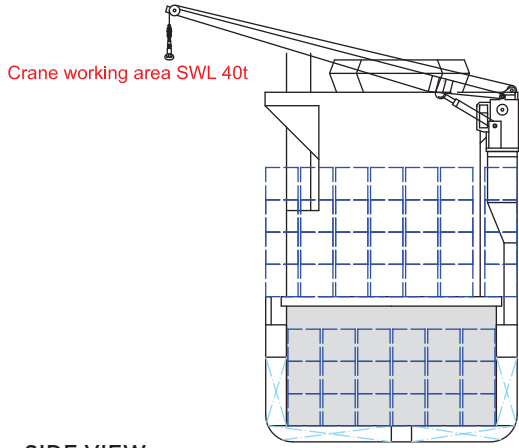
Vessel type	Singledecker Containervessel
Classification	GL + 100 A5 E G + MC E AUT equipped for the carriage of containers, equipped for the carriage of dangerous goods
GT/NT	4,454 / 1,986
Deadweight (summer)	5,560 mt
Max. draft (summer)	6.65 m
Length o.a.	100.60 m
Length between pp.	95.90 m
Breadth moulded	18.80 m
Height above keel	37.55 m
Max. Speed	15.0 knots
Fuel consumption	17.0 mt RMG 380 fuel per day at sea 2.0 mt MGO CMA in port with gear 1.6 mt MGO CMA per day in port without gear

HOLDS/HATCHES/CRANES

Cargo hold capacity	7,177 cbm / 253,453 cbft		
Floor space under deck	874 sqm / 17,889 sqft		
Floor space on deck	840 sqm / 20,160 sqft		
Cranes	2 NMF cranes situated portside 40 mt capacity each		
Container intake	505 TEU nominal 269 TEU at 14 mt homogeneously loaded 72 reefer plugs		
Container stackweights	20'	40'	
	Hatch covers	45 mt	65 mt
	Tanktop	72 mt	105 mt

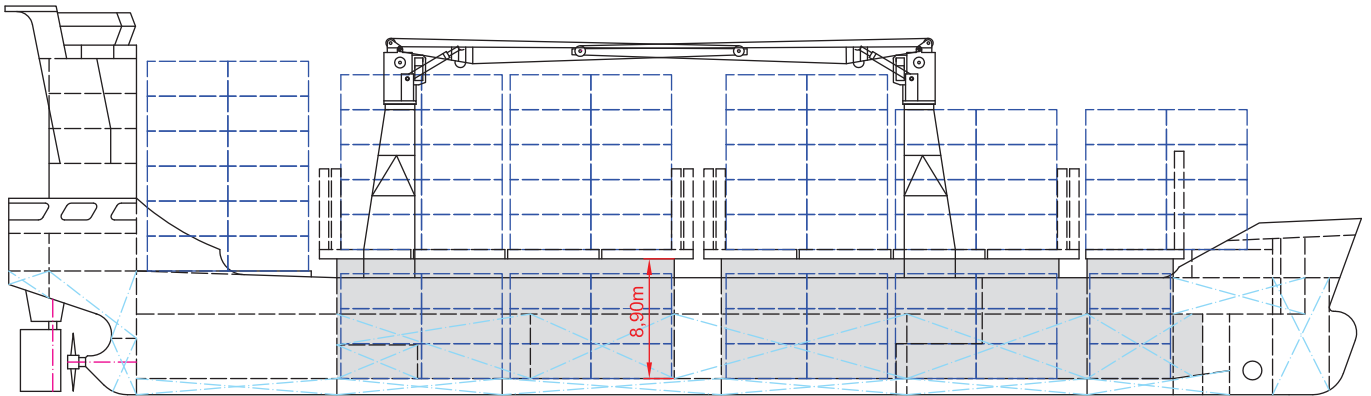
SPECIAL EQUIPMENT/FEATURES

Fitted for trading Australia.
Fitted for carriage of dangerous goods of all IMO classes.
Not bulk/grain fitted.

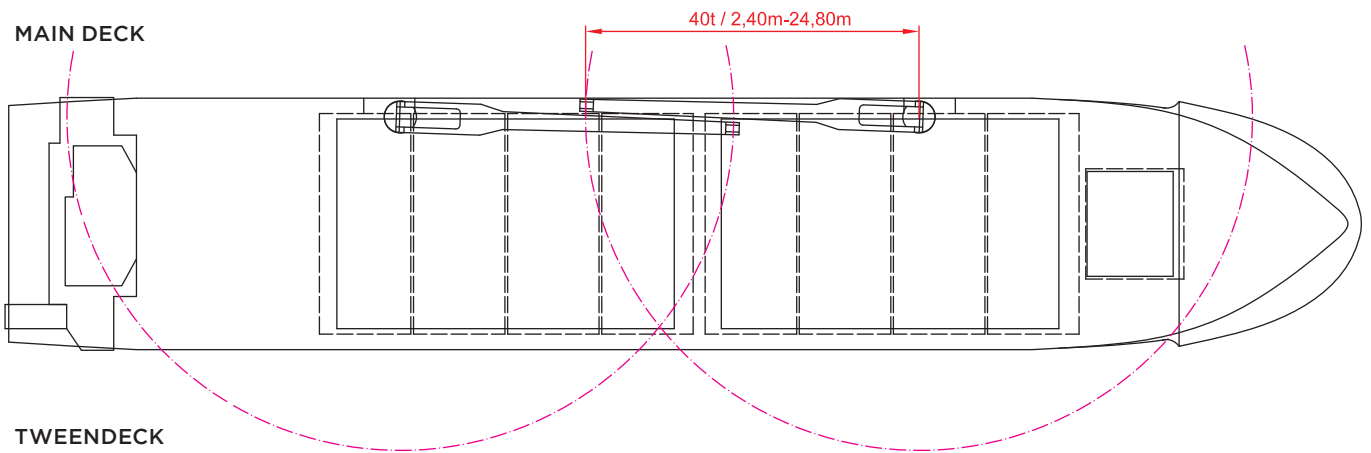


SIDE VIEW

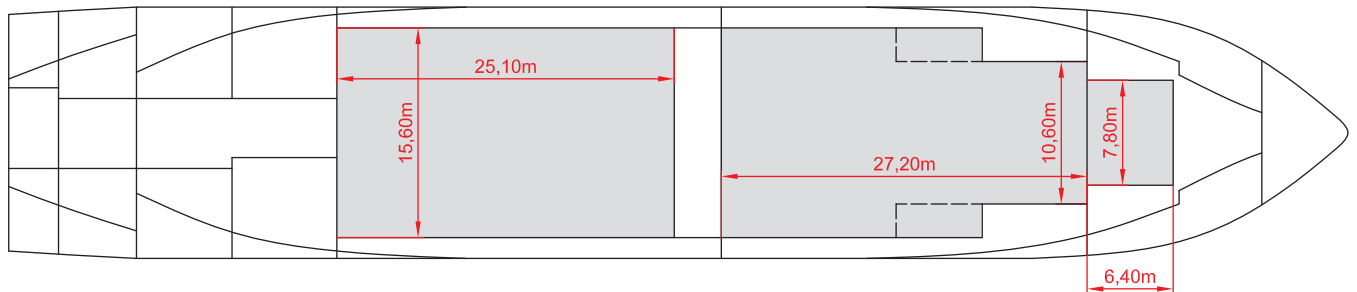
Hold No. 1 + 2



MAIN DECK



TWENDECK



HOLDS & DOUBLE BOTTOM

