



Vessel name	Built	IMO no.	Flag	Vessel name	Built	IMO no.	Flag
BBC Europe	2003	9266308	Antigua & Barbuda	BBC Africa	2005	9362621	Antigua & Barbuda
BBC Germany	2003	9297096	Gibraltar	BBC Scandinavia	2007	9362633	Antigua & Barbuda
BBC Asia	2003	9266310	Antigua & Barbuda	BBC Greenland	2007	9427079	Antigua & Barbuda
Panagia	2004	9305295	Antigua & Barbuda	BBC Switzerland	2008	9433315	Germany
Pantanal	2004	9316579	Antigua & Barbuda	BBC Austria	2009	9433327	Antigua & Barbuda
Thunder Bird	2004	9318943	Denmark				

MAIN DATA

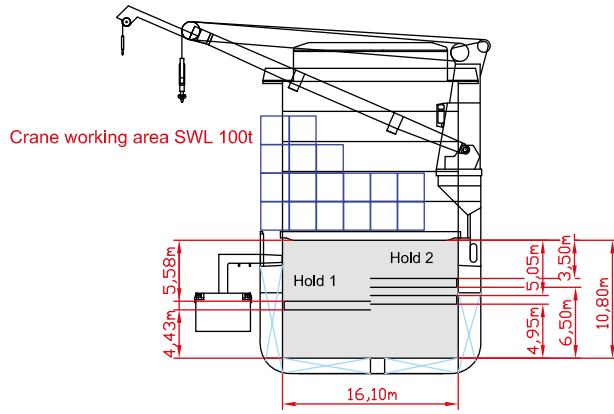
Vessel type	Multipurpose Heavylifter
Classification	GL + 100 A5 E G + MC E AUT strengthened for heavy cargoes, equipped for the carriage of containers, equipped for the carriage of dangerous goods
GT/NT	7,014 / 3,375
Deadweight (summer)	7,500 mt
Max. draft (summer)	7.60 m
Length o.a.	119.80 m
Length between pp.	113.75 m
Breadth moulded	20.20 m
Depth to main deck	9.70 m
Height above keel	38.15 m
Max. Speed	15.5 knots
Fuel consumption	24.0 mt RMG 380 fuel per day at sea 1.5 mt MGO DMA per day in port without gear 2.6 mt MGO DMA per day in port with gear

HOLDS/HATCHES/CRANES

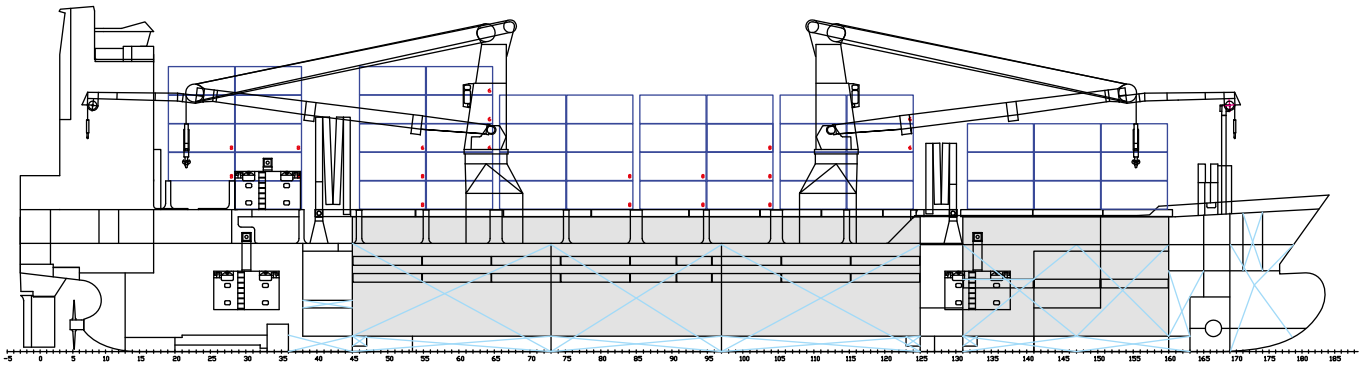
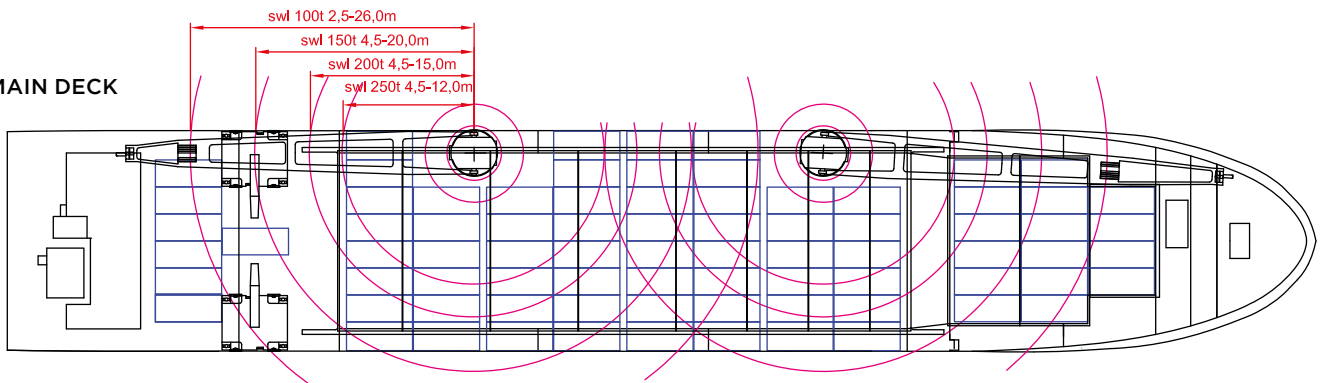
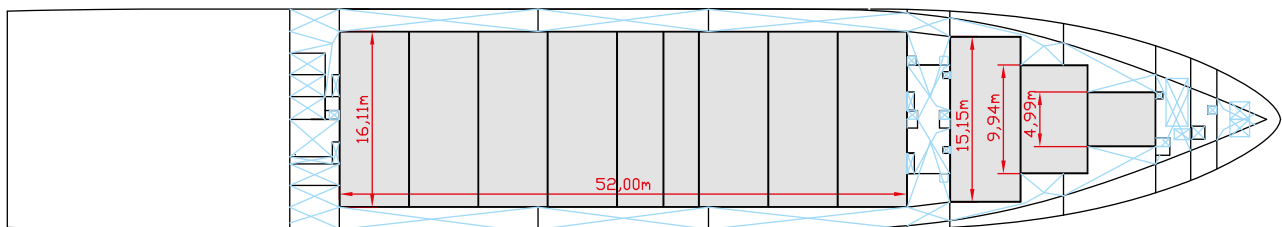
Cargo hold capacity	11,021 cbm / 389,040 cbft
Floor space under deck	1,986 sqm / 21,377 sqft
Floor space on deck	1,083 sqm / 11,657 sqft
Cranes	2 NMF cranes situated portside 250 mt capacity each / 500 mt capacity combined
Container intake	599 TEU nominal 377 TEU at 14 mt homogeneously loaded 60 reefer plugs on deck
Deck strengths per sqm	16.00 mt on tanktop 2.50 mt on tweendeck in hold 1 3.00 mt on tweendeck in hold 2 2.50 mt on hatchcovers

SPECIAL EQUIPMENT/FEATURES

Fitted for trading Great Lakes and Australia.
Fitted for carriage of dangerous goods of all IMO classes.
Not grain fitted.



- | | |
|--------------|-----------------|
| BBC Europe | BBC Africa |
| BBC Germany | BBC Scandinavia |
| BBC Asia | BBC Greenland |
| Panagia | BBC Switzerland |
| Pantanal | BBC Austria |
| Thunder Bird | |

SIDE VIEW

MAIN DECK

TWENDECK

HOLDS & DOUBLE BOTTOM
