



Vessel name	Built	IMO no.	Flag	Vessel name	Built	IMO no.	Flag
Industrial Eagle	2008	9407574	Antigua & Barbuda	Industrial Edge	2009	9407598	Antigua & Barbuda
BBC Kimberley	2009	9407586	Antigua & Barbuda	Industrial Echo	2010	9407603	Antigua & Barbuda

MAIN DATA

Vessel type	Multipurpose Heavyliifter
Classification	NK + 100 A5 E G BWM SOLAS II + MC E AUT strengthened for heavy cargoes, equipped for the carriage of containers, equipped for the carriage of dangerous goods. Ice Class ID
GT/NT	8,445 / 2,534
Deadweight (summer)	10,000 mt
Max. draft (summer)	7.70 m
Length o.a.	139.00 m
Length between pp.	131.20 m
Breadth moulded	20.00 m
Depth to main deck	11.30 m
Height above keel	34.85 m
Max. Speed	16.0 knots

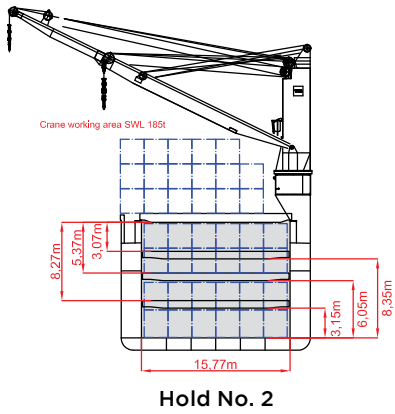
HOLDS/HATCHES/CRANES

Cargo hold capacity	15,427 cbm / 544,799 cbft
Floor space under deck	2,654 sqm / 28,567 sqft
Floor space on deck	1,349 sqm / 14,521 sqft
Cranes	2 TTS cranes situated portside 250 mt capacity each / 500 mt capacity combined
Container intake	628 TEU nominal
Deck strengths per sqm	15.00 mt on tanktop 3.50 mt on tweendeck 3.00 mt on Weather deck

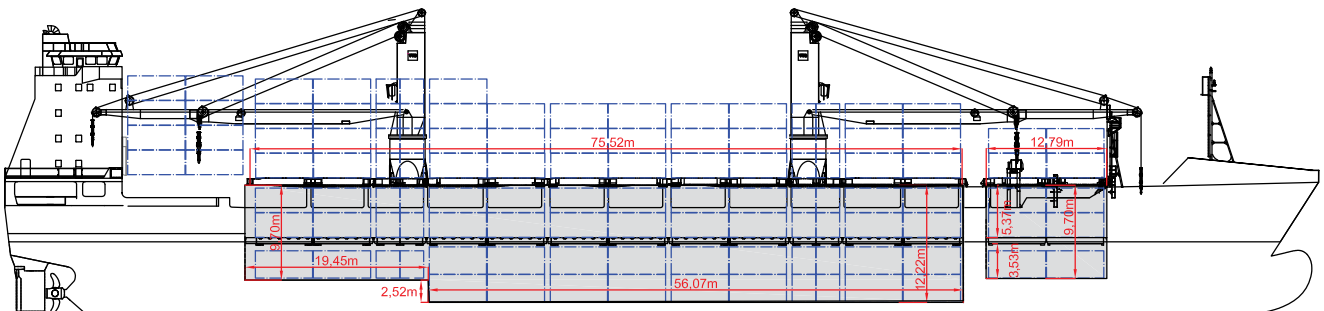
SPECIAL EQUIPMENT/FEATURES

Fitted for trading Great Lakes and Australia.
Fitted for carriage of dangerous goods of all IMO classes.
Not grain fitted.

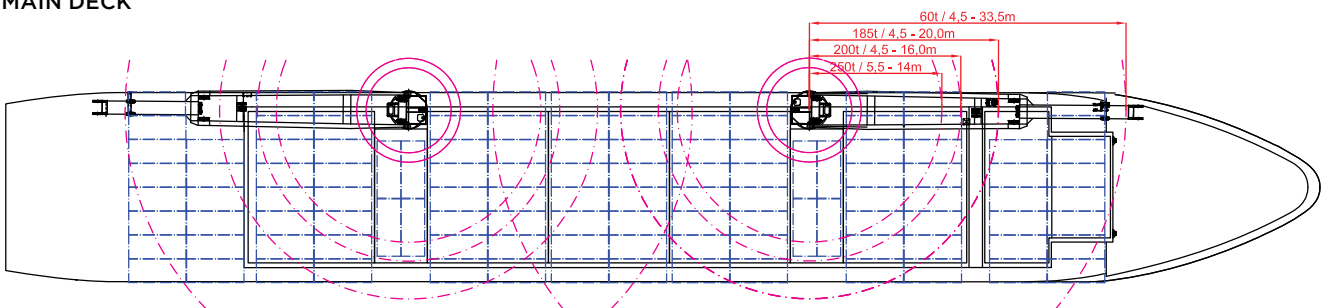
BBC Kimberley Industrial Eagle
Industrial Edge Industrial Echo



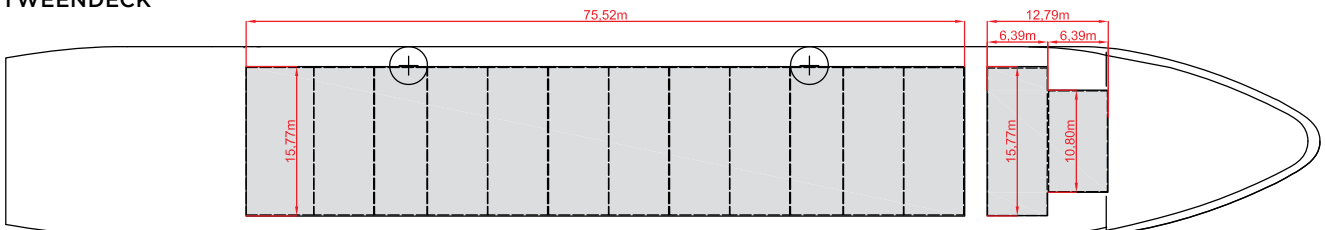
SIDE VIEW



MAIN DECK



TWEENDECK



HOLDS & DOUBLE BOTTOM

