



Vessel name	Built	IMO no.	Flag	Vessel name	Built	IMO no.	Flag
BBC Topaz	2010	9506734	Antigua & Barbuda	BBC Coral	2012	9563720	Antigua & Barbuda
BBC Amber	2011	9563706	Antigua & Barbuda	BBC Sapphire	2012	9504798	Antigua & Barbuda
BBC Onyx	2011	9506746	Antigua & Barbuda	BBC Pearl	2012	9504786	Antigua & Barbuda
BBC Opal	2011	9506758	Antigua & Barbuda	BBC Emerald	2013	9504750	Antigua & Barbuda
BBC Amethyst	2012	9504724	Antigua & Barbuda	BBC Moonstone	2013	9563732	Antigua & Barbuda
BBC Aquamarine	2012	9504736	Antigua & Barbuda	BBC Ruby	2016	9563744	Antigua & Barbuda
BBC Citrine	2012	9504748	Antigua & Barbuda				

MAIN DATA

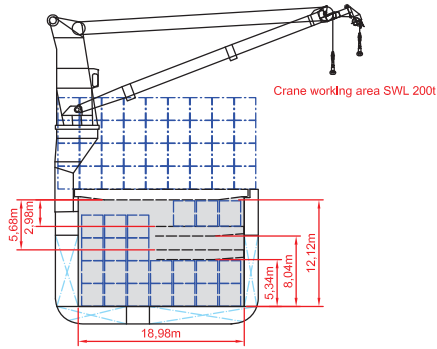
Vessel type	Multipurpose Heavy-lifter
Classification	GL + 100 A5 E3 IW BWM DG + MCE3 AUT
GT/NT	12,838 / 5,968
Deadweight (summer)	14,800 mt
Max. draft (summer)	9.10 m
Length o.a.	153.44 m
Length between pp.	146.35 m
Breadth moulded	23.20 m
Depth to main deck	11.95 m
Height above keel	40.85 m
Max. Speed	17.0 knots
Fuel consumption	37.0 mt RMG 380 fuel per day at sea 2.0 mt MGO DMA per day in port without gear 4.0 mt MGO DMA per day in port with gear

HOLDS/HATCHES/CRANES

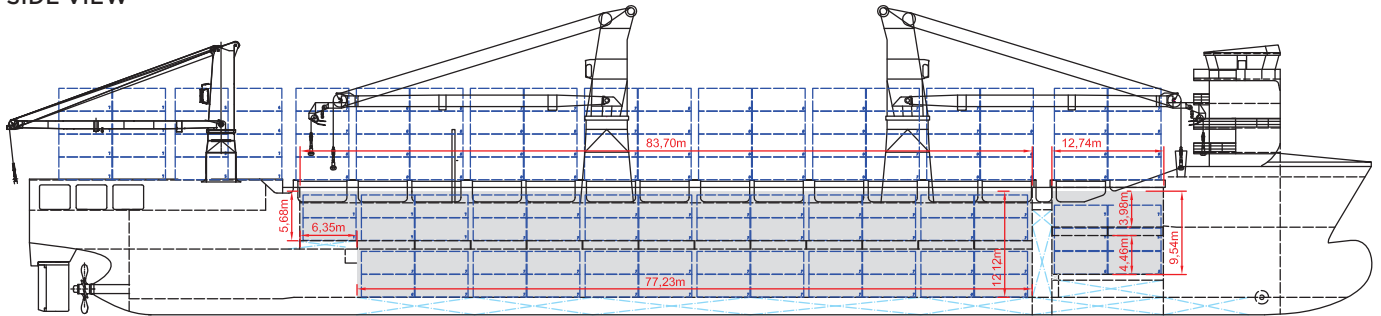
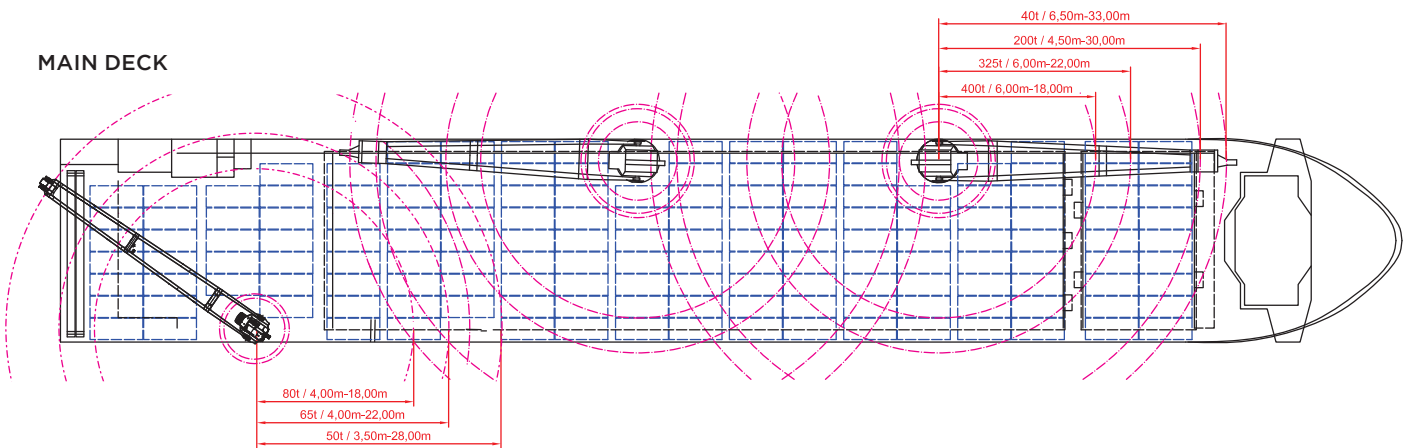
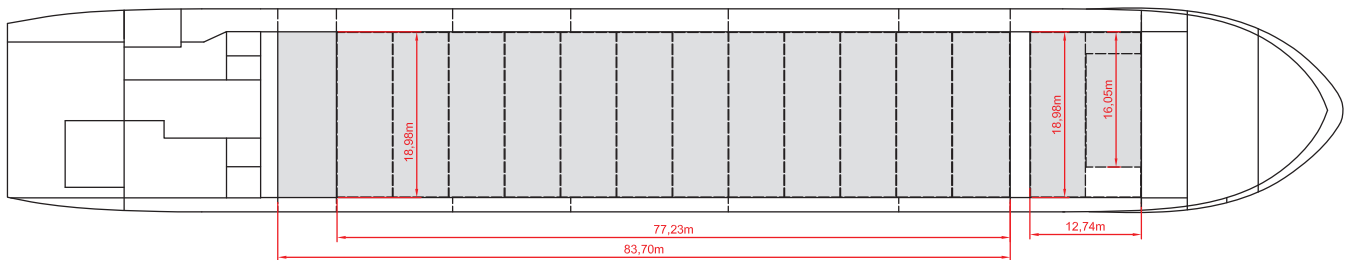
Cargo hold capacity	20,140 cbm / 711,236 cbft
Floor space under deck	2,986 sqm / 32,141 sqft
Floor space on deck	1,891 sqm / 20,354 sqft
Cranes	2 NMF cranes situated portside 400 mt capacity each / 800 mt capacity combined Plus 1 NMF crane situated starboardside 80 mt capacity
Container intake	958 TEU nominal 683 TEU at 14 mt homogeneously loaded 28 reefer plugs on deck
Deck strengths per sqm	15.00 mt on tanktop 2.50 mt on tweendeck Hold 1 5.00 mt on tweendeck Hold 2 (lower position) 2.50 mt on tweendeck Hold 2 (upper position) 5.00 mt on hatchcovers

SPECIAL EQUIPMENT/FEATURES

Fitted for trading Australia.
Fitted for carriage of dangerous goods of all IMO classes.
Not grain fitted.


Hold No. 2

BBC Topaz	BBC Coral
BBC Amber	BBC Sapphire
BBC Onyx	BBC Pearl
BBC Opal	BBC Emerald
BBC Amethyst	BBC Moonstone
BBC Aquamarine	BBC Ruby
BBC Citrine	

SIDE VIEW

MAIN DECK

TWEENDECK

HOLDS & DOUBLE BOTTOM
