



Vessel name	Built	IMO no.	Flag
BBC Neptune	2010	9537264	Liberia

MAIN DATA

Vessel type	Bulkcarrier
Classification	LR100 A1 IWS LI + LMC, UMS
GT/NT	24,050 / 12,152
Deadweight (summer)	37,503 mt
Max. draft (summer)	10.40 m
Length o.a.	189.99 m
Length between pp.	183.00 m
Breadth moulded	28.50 m
Depth to main deck	15.10 m
Height above keel	45.00 m
Max. Speed	14.0 knots
Fuel consumption	28.0 mt RMG 380 + 0.1 mt MGO DMA fuel per day at sea 3.5 mt RMG 380 + 0.1 mt MGO DMA per day in port without gear 5.0 mt RMG 380 + 0.1 mt MGO DMA per day in port with gear (2 cranes) 6.5 mt RMG 380 + 0.1 mt MGO DMA per day in port with gear (4 cranes)

HOLDS/HATCHES/CRANES

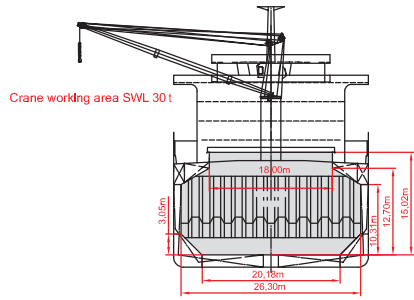
Cargo hold capacity bale	1,689,741 cbft
Cargo hold capacity grain	1,728,092 cbft
Cranes	4 cranes situated midships 30 mt capacity each

SPECIAL EQUIPMENT/FEATURES

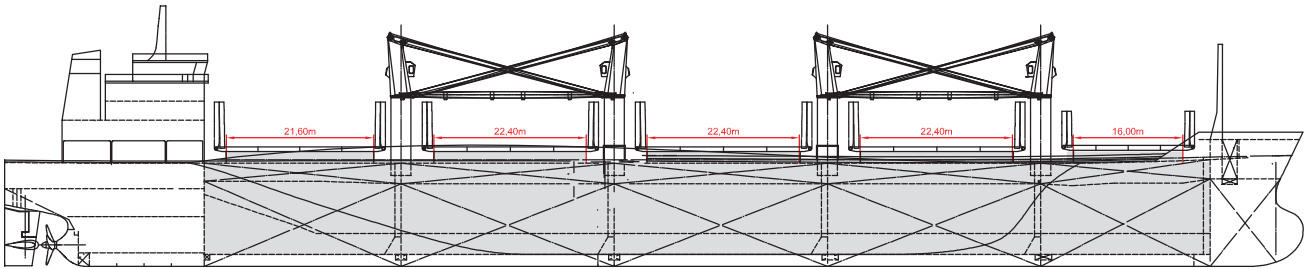
Fitted for trading Australia.
Fitted for carriage of dangerous goods of all IMO classes.

Speed and consumption figures are calculated basis maximum Beaufort 2, no swell and no adverse currents. Consumption data assumes shaft generator and reefer plugs disconnected. Vessel is burning fuels according to ISO 8217-2012. Intake is always subject to vessel's stability, trim, permissible weights and is subject to regulations of visibility. Lifting capacity of vessel's cranes is subject to vessel's stability and can depend on cargo/ballast on board. Container data as well as bale capacity assumes tweendeck ashore. All details including speed and consumption are given in good faith and are „about“ and are given without guarantee. They must not be used as basis for charterparties or contracts without BBC's explicit written authority.

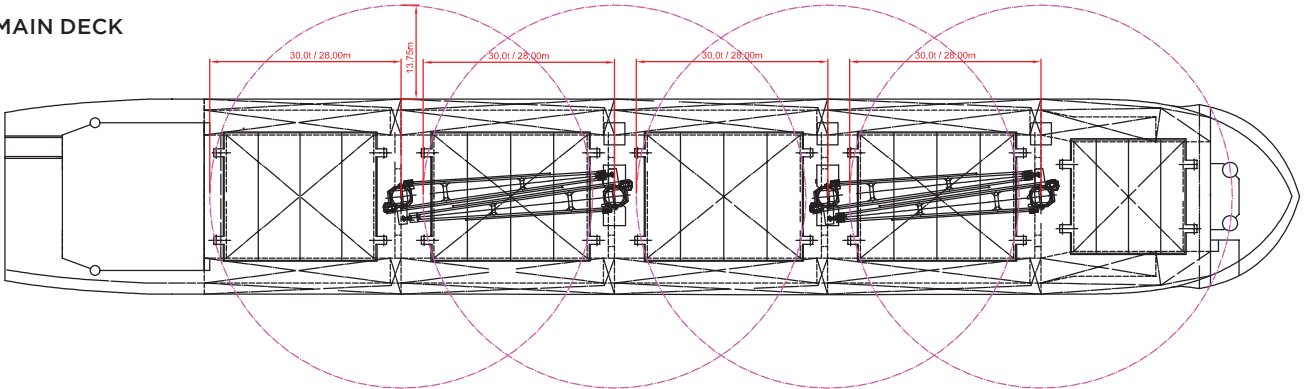
BBC Neptune



SIDE VIEW



MAIN DECK



HOLDS & DOUBLE BOTTOM

