



Vessel name	Built	IMO no.	Flag	Vessel name	Built	IMO no.	Flag
BBC Lima	2010	9513622	Germany	BBC London	2011	9513658	Antigua & Barbuda
BBC Lisbon	2011	9513634	Antigua & Barbuda				

## MAIN DATA

<b>Vessel type</b>	Multipurpose Tweendecker
<b>Classification</b>	GL + 100 A5 E3 + MC E3 AUT strengthened for heavy cargoes, equipped for the carriage of containers, equipped for the carriage of dangerous goods
<b>GT/NT</b>	7,138 / 2,266
<b>Deadweight (summer)</b>	7,821 mt
<b>Max. draft (summer)</b>	7.00 m
<b>Length o.a.</b>	130.20 m
<b>Length between pp.</b>	122.00 m
<b>Breadth moulded</b>	16.50 m
<b>Depth to main deck</b>	11.50 m
<b>Height above keel</b>	37.50 m
<b>Max. Speed</b>	12.5 knots
<b>Fuel consumption</b>	13.5 mt RMG 380 fuel per day at sea 1.6 mt MGO DMA per day in port without gear 2.4 mt MGO DMA per day in port with gear

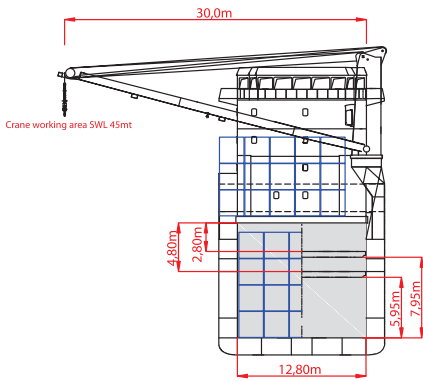
## HOLDS/HATCHES/CRANES

<b>Cargo hold capacity</b>	12,181 cbm / 430,167 cbft
<b>Floor space under deck</b>	2,179 sqm / 23,463 sqft
<b>Floor space on deck</b>	1,133sqm / 12,197 sqft
<b>Cranes</b>	2 NMF cranes situated portside 80 mt capacity each / 160 mt capacity combined
<b>Container intake</b>	444 TEU nominal 320 TEU at 14 mt homogeneously loaded 30 reefer plugs on deck
<b>Deck strengths per sqm</b>	15.00 mt on tanktop 3.00 mt on tweendeck 1.75 mt on hatchcovers

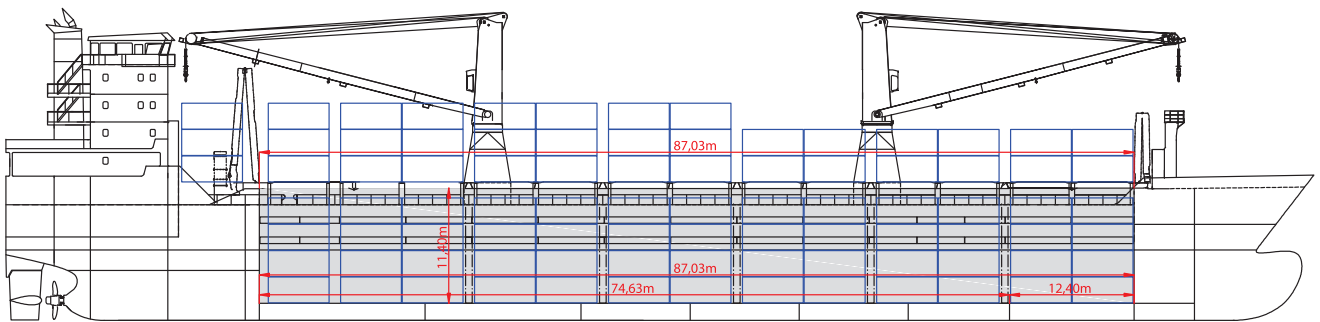
## SPECIAL EQUIPMENT/FEATURES

Fitted for trading Great Lakes and Australia.  
Fitted for carriage of dangerous goods of all IMO classes.

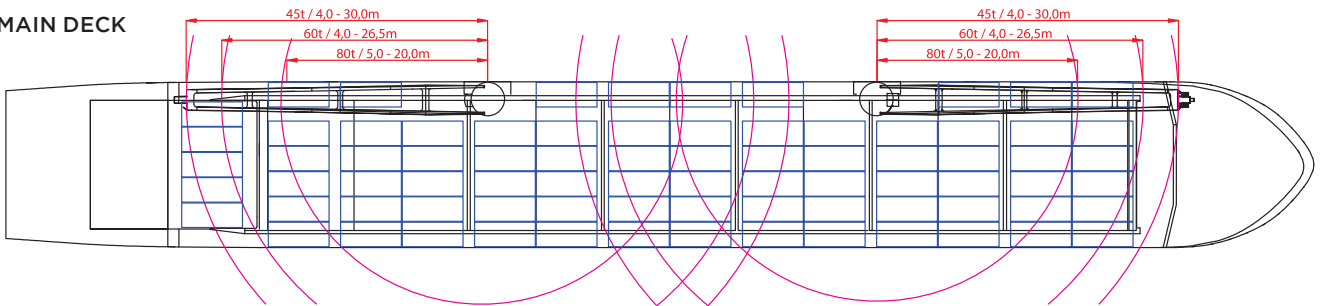
Speed and consumption figures are calculated basis maximum Beaufort 2, no swell and no adverse currents. Consumption data assumes shaft generator and reefer plugs disconnected. Vessel is burning fuels according to ISO 8217-2012. Intake is always subject to vessel's stability, trim, permissible weights and is subject to regulations of visibility. Lifting capacity of vessel's cranes is subject to vessel's stability and can depend on cargo/ballast on board. Container data as well as bale capacity assumes tweendeck ashore. All details including speed and consumption are given in good faith and are „about“ and are given without guarantee. They must not be used as basis for charterparties or contracts without BBC's explicit written authority.



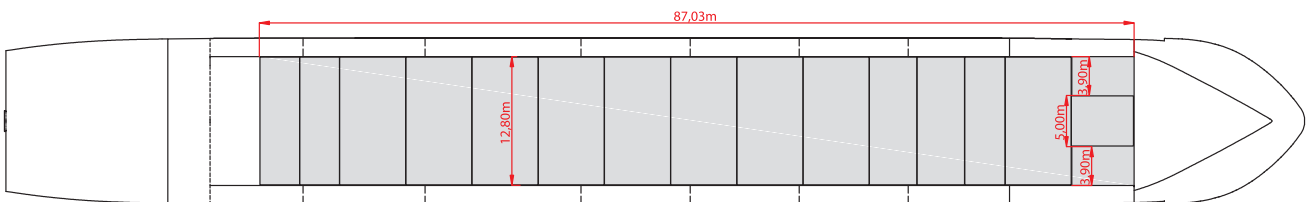
**SIDE VIEW**



**MAIN DECK**



**TWEENDECK**



**HOLDS & DOUBLE BOTTOM**

