



Vessel name	Built	IMO no.	Flag	Vessel name	Built	IMO no.	Flag
BBC Pacific	2006	9427081	Antigua & Barbuda	BBC Marmara	2010	9454228	Portugal
BBC Adriatic	2008	9378230	Antigua & Barbuda	BBC Magellan	2010	9569528	Antigua & Barbuda
BBC Caribbean	2008	9378242	Antigua & Barbuda	BBC Ocean	2011	9569530	Antigua & Barbuda
Hollum	2009	9454216	Antigua & Barbuda				

## MAIN DATA

<b>Vessel type</b>	Multipurpose Tweendecker
<b>Classification</b>	GL + 100 A5 E3 G + MCE3 AUT (BBC Pacific, BBC Adriatic, BBC Caribbean, Hollum, BBC Marmara) GL + 100 A5 E2 G + MCE2 AUT (BBC Magellan, BBC Ocean) strengthened for heavy cargoes, equipped for the carriage of containers, equipped for the carriage of dangerous goods
<b>GT/NT</b>	5,232 / 2,382
<b>Deadweight (summer)</b>	6,150 mt
<b>Max. draft (summer)</b>	5.70 m
<b>Length o.a.</b>	115.50 m
<b>Length between pp.</b>	111.63 m
<b>Breadth moulded</b>	16.50 m
<b>Depth to main deck</b>	7.95 m
<b>Height above keel</b>	29.40 m
<b>Max. Speed</b>	13.0 knots
<b>Fuel consumption</b>	14.5 mt RME 180 fuel per day at sea 1.5 mt MGO DMA per day in port without gear 3.0 mt MGO DMA per day in port with gear

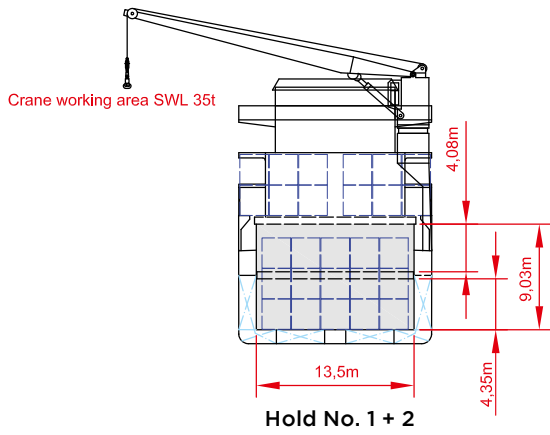
## HOLDS/HATCHES/CRANES

<b>Cargo hold capacity</b>	9,329 cbm / 329,450 cbft
<b>Floor space under deck</b>	2,093 sqm / 22,529 sqft
<b>Floor space on deck</b>	1,046 sqm / 11,259 sqft
<b>Cranes</b>	2 NMF cranes situated portside 60 mt capacity each / 120 mt capacity combined
<b>Container intake</b>	336 TEU nominal 330 TEU at 14 mt homogeneously loaded
<b>Deck strengths per sqm</b>	15.00 mt on tanktop 2.20 mt on tweendeck in hold 1 2.50 mt on tweendeck in hold 2 1.75 mt on hatchcovers

## SPECIAL EQUIPMENT/FEATURES

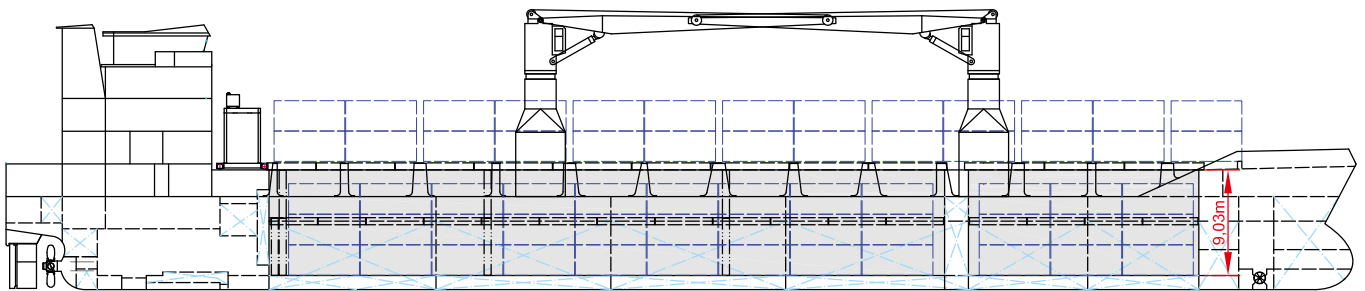
Fitted for trading Australia.  
Fitted for carriage of dangerous goods of all IMO classes.

Speed and consumption figures are calculated basis maximum Beaufort 2, no swell and no adverse currents. Consumption data assumes shaft generator and reefer plugs disconnected. Vessel is burning fuels according to ISO 8217-2005. Intake is always subject to vessel's stability, trim, permissible weights and is subject to regulations of visibility. Lifting capacity of vessel's cranes is subject to vessel's stability and can depend on cargo/ballast on board. Container data as well as bale capacity assumes tweendeck ashore. All details including speed and consumption are given in good faith and are „about“ and are given without guarantee. They must not be used as basis for charterparties or contracts without BBC's explicit written authority.

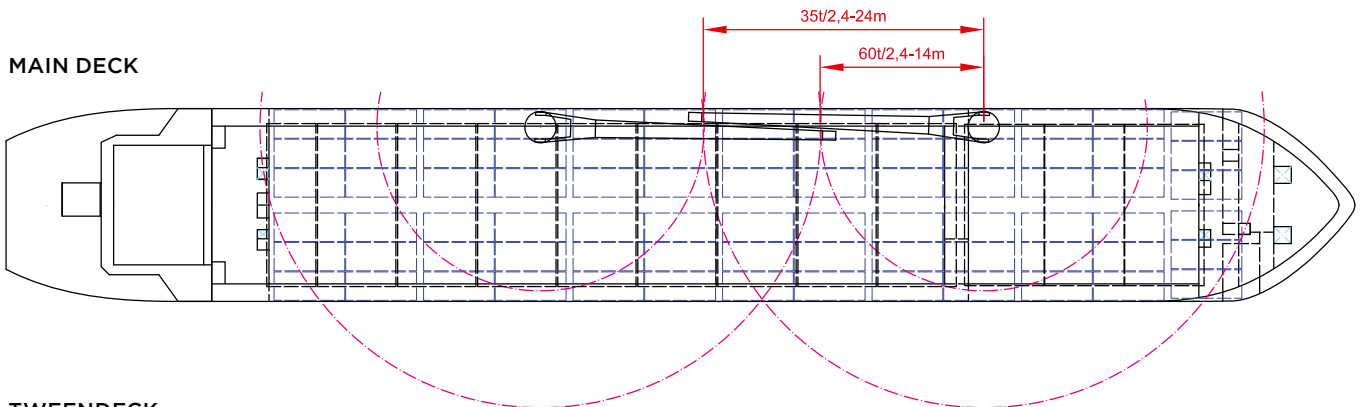


BBC Pacific	BBC Marmara
BBC Adriatic	BBC Magellan
BBC Caribbean	BBC Ocean
Hollum	

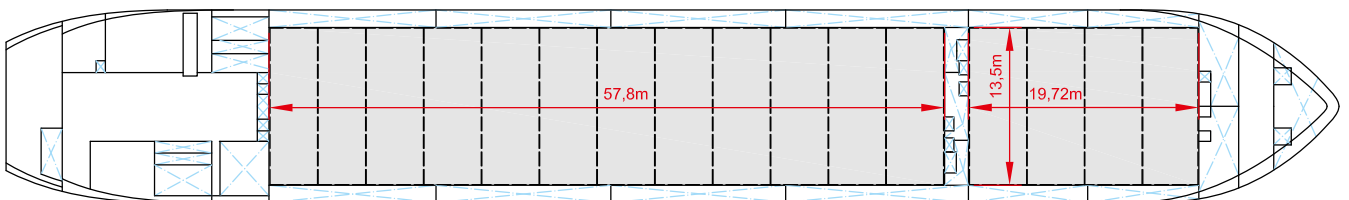
**SIDE VIEW**



**MAIN DECK**



**TWEENDECK**



**HOLDS & DOUBLE BOTTOM**

