



Vessel name	Built	IMO no.	Flag
BBC Neptune	2010	9537264	Liberia

MAIN DATA

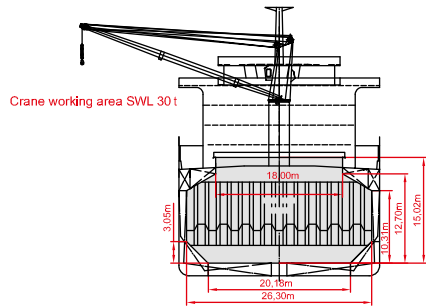
Vessel type	Bulkcarrier
Classification	LR 100 A1 IWS LI + LMC, UMS
GT/NT	24,050 / 12,152
Deadweight (summer)	37,503 mt
Max. draft (summer)	10.40 m
Length o.a.	189.99 m
Length between pp.	183.00 m
Breadth moulded	28.50 m
Depth to main deck	15.10 m
Height above keel	45.00 m
Max. Speed	14.0 knots
Fuel consumption	28.0 mt RMG 380 + 0.1 mt MGO DMA fuel per day at sea 3.5 mt RMG 380 + 0.1 mt MGO DMA per day in port without gear 5.0 mt RMG 380 + 0.1 mt MGO DMA per day in port with gear (2 cranes) 6.5 mt RMG 380 + 0.1 mt MGO DMA per day in port with gear (4 cranes)

HOLDS/HATCHES/CRANES

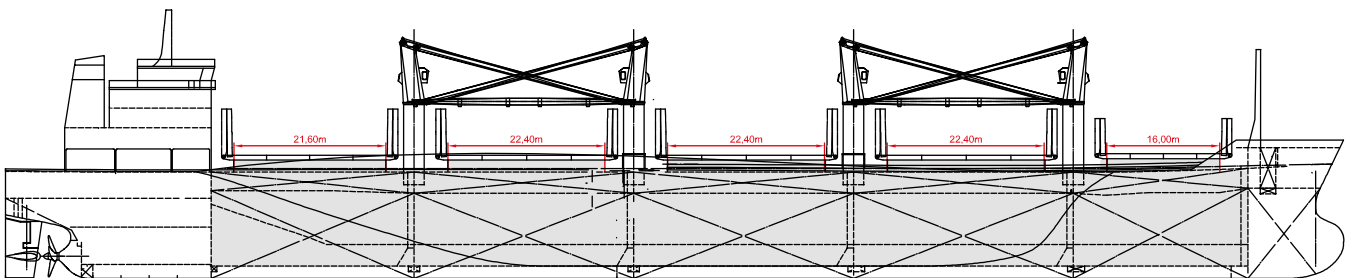
Cargo hold capacity bale	1,689,741 cbft
Cargo hold capacity grain	1,728,092 cbft
Cranes	4 cranes situated midships 30 mt capacity each

SPECIAL EQUIPMENT/FEATURES

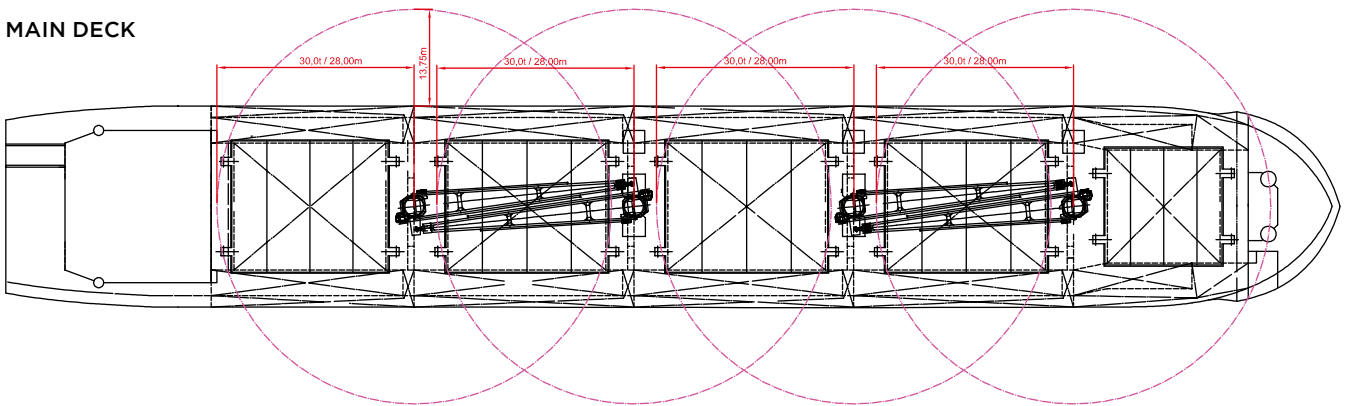
Fitted for trading Australia.
Fitted for carriage of dangerous goods of all IMO classes.



SIDE VIEW



MAIN DECK



HOLDS & DOUBLE BOTTOM

