



| Vessel name | Built | IMO no. | Flag | Vessel name | Built | IMO no. | Flag |
|-----------------|-------|---------|-------------------|-------------|-------|---------|-------------------|
| BBC Kwiatkowski | 2008 | 9436953 | Antigua & Barbuda | BBC Polonia | 2010 | 9415325 | Antigua & Barbuda |
| BBC Gdansk | 2009 | 9436965 | Antigua & Barbuda | | | | |

MAIN DATA

| | |
|----------------------------|--|
| Vessel type | Multipurpose Heavyliifter |
| Classification | GL + 100 A5 E3 + MC E3 AUT strengthened for heavy cargoes, equipped for the carriage of containers, equipped for the carriage of dangerous goods |
| GT/NT | 6,155 / 2,759 |
| Deadweight (summer) | 7,700 mt |
| Max. draft (summer) | 7.15 m |
| Length o.a. | 122.45 m |
| Length between pp. | 115.63 m |
| Breadth moulded | 18.20 m |
| Depth to main deck | 9.70 m |
| Height above keel | 41.00 m |
| Max. Speed | 14.0 knots |
| Fuel consumption | 17.0 mt RMG 380 fuel per day at sea 1.75 mt MGO DMA per day in port without gear 4.75 mt MGO DMA per day in port with gear |

HOLDS/HATCHES/CRANES

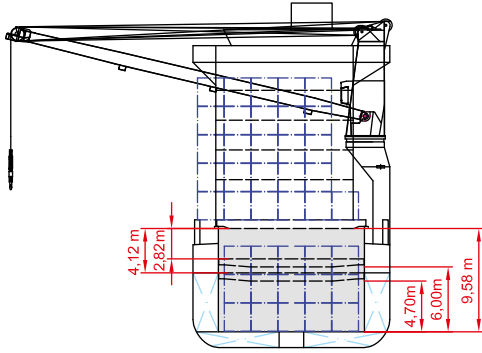
| | |
|-------------------------------|--|
| Cargo hold capacity | 9,058 cbm / 348,268 cbft |
| Floor space under deck | 1,854 sqm / 19,956 sqft |
| Floor space on deck | 1,003 sqm / 10,796 sqft |
| Cranes | 2 NMF cranes situated portside 120 mt capacity each / 240 mt capacity combined |
| Container intake | 532 TEU nominal 262 TEU at 14 mt homogeneously loaded 32 reefer plugs on deck |
| Deck strengths per sqm | 18.00 mt on tanktop 2.50 mt on tweendeck 2.80 mt on hatchcovers |

SPECIAL EQUIPMENT/FEATURES

Fitted for trading Great Lakes and Australia.
Fitted for carriage of dangerous goods of all IMO classes.

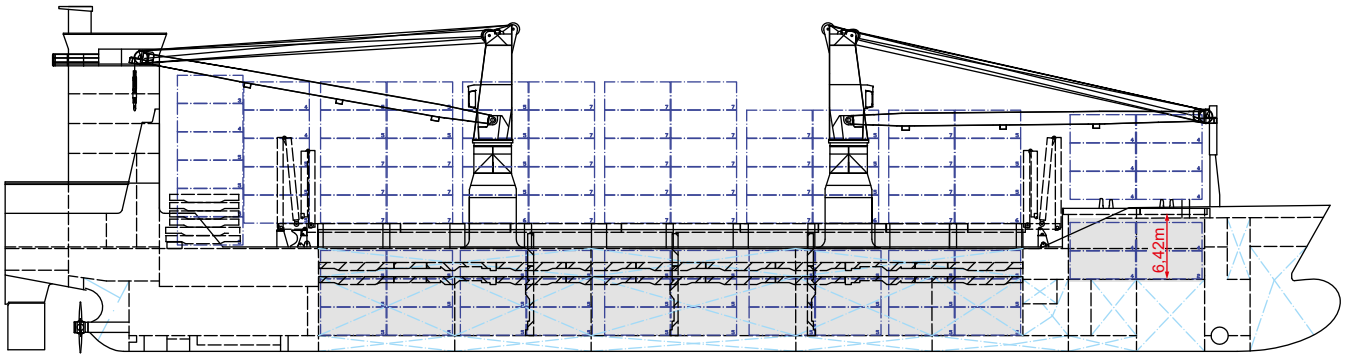
Crane working area SWL 120t

BBC Kwiatkowski BBC Polonia
BBC Gdansk

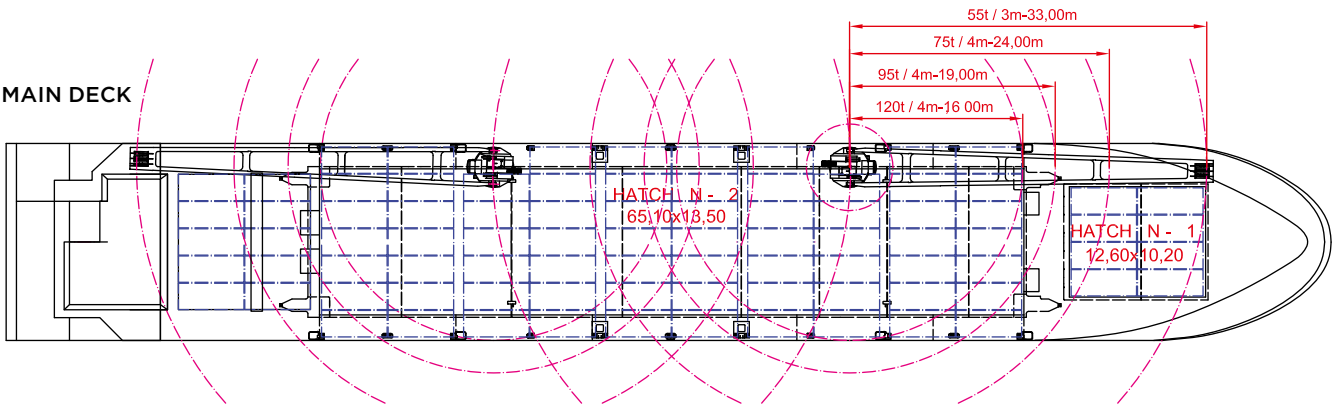


Hold No. 2

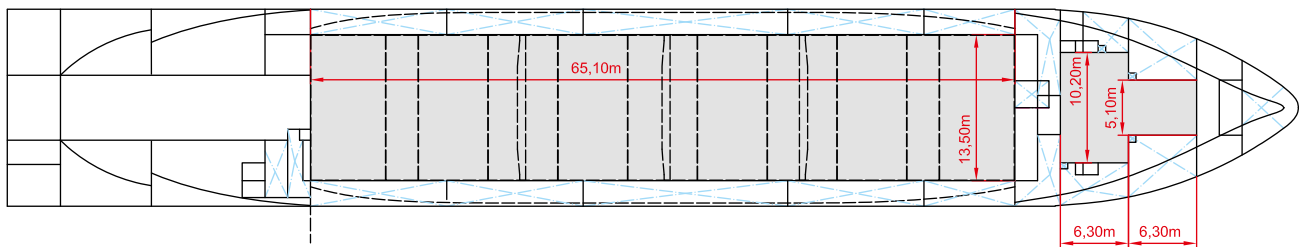
SIDE VIEW



MAIN DECK



TWEEDECK



HOLDS & DOUBLE BOTTOM

