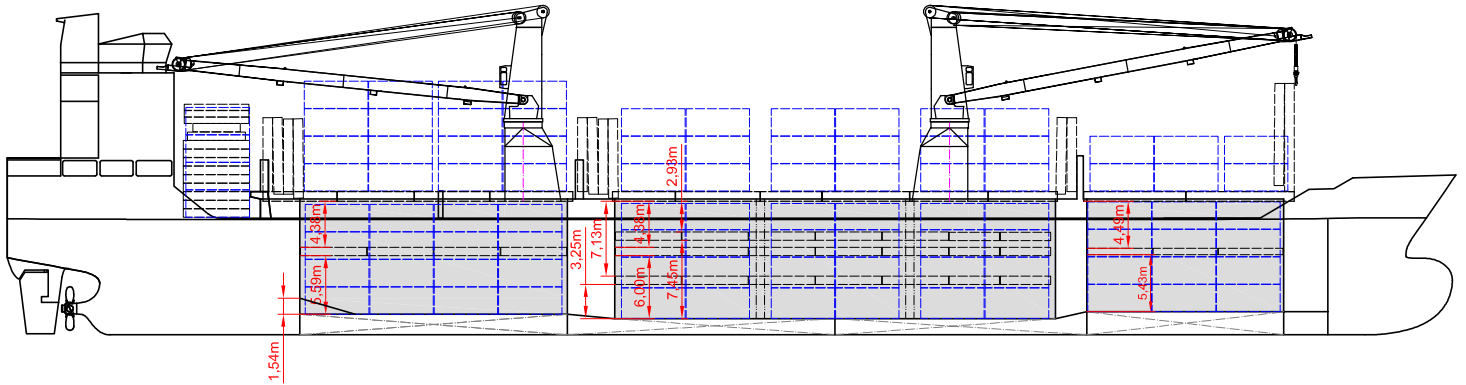
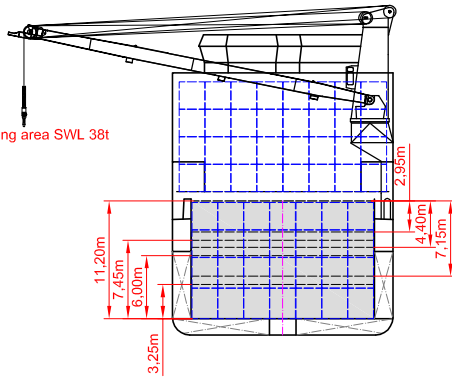


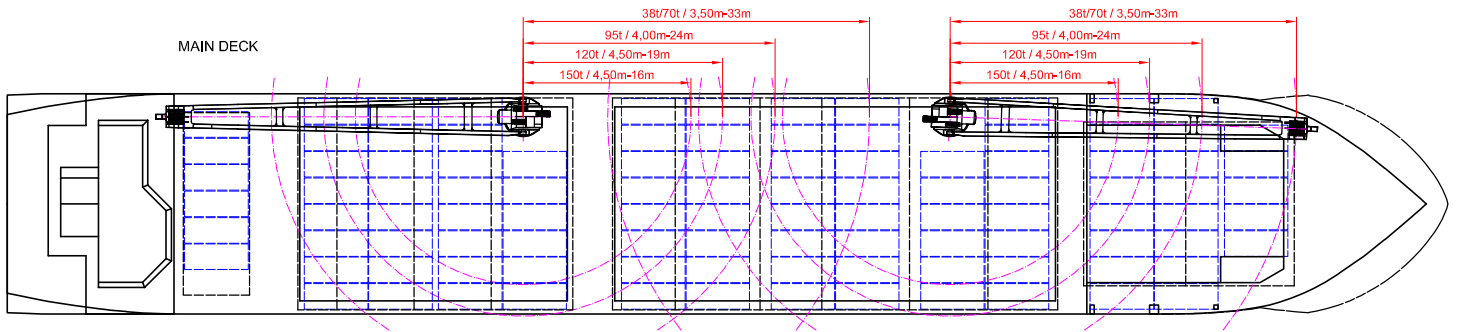
SHIP'S NAME	M/V BBC Alabama
Phone	+49 491 9 25 20-90
Telefax	+49 491 9 25 20-99
Date	29.07.09
E-mail	chartering_leer@bbc-chartering.com

All details are about and believed to be correct but given without guarantee and they must not be used as basis for charterparties or contracts without BBC's explicit written authority

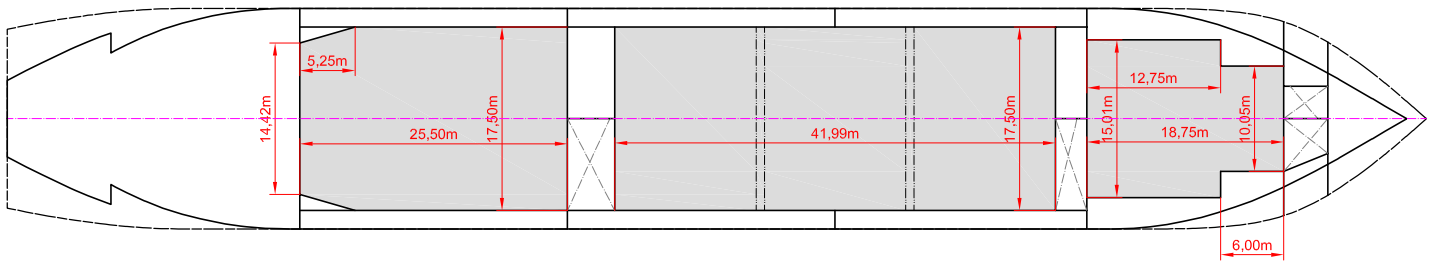
Crane working area SWL 38t



MAIN DECK



TWEENDECK



HOLDS & DOUBLE BOTTOM

