



Vessel name	Built	IMO no.	Flag	Vessel name	Built	IMO no.	Flag
BBC Atlantic	2005	9352743	Gibraltar	Hollum	2009	9454216	Antigua & Barbuda
BBC Pacific	2006	9427081	Antigua & Barbuda	BBC Marmara	2010	9454228	Gibraltar
BBC Baltic	2008	9427093	Antigua & Barbuda	BBC Magellan	2010	9569528	Antigua & Barbuda
BBC Adriatic	2008	9378230	Antigua & Barbuda	BBC Ocean	2011	9569530	Antigua & Barbuda
BBC Caribbean	2008	9378242	Antigua & Barbuda				

MAIN DATA

Vessel type	Multipurpose Tweendecker
Classification	GL + 100 A5 E3 G + MCE3 AUT strengthened for heavy cargoes, equipped for the carriage of containers, equipped for the carriage of dangerous goods
GT/NT	5,232 / 2,382
Deadweight (summer)	6,150 mt
Max. draft (summer)	5.70 m
Length o.a.	115.50 m
Breadth moulded	16.50 m
Depth to main deck	7.95 m
Height above keel	29.40 m
Speed	13.0 knots
Fuel consumption	14.5 mt RME 180 fuel per day at sea 1.5 mt MGO DMA per day in port without gear 3.0 mt MGO DMA per day in port with gear

HOLDS/HATCHES/CRANES

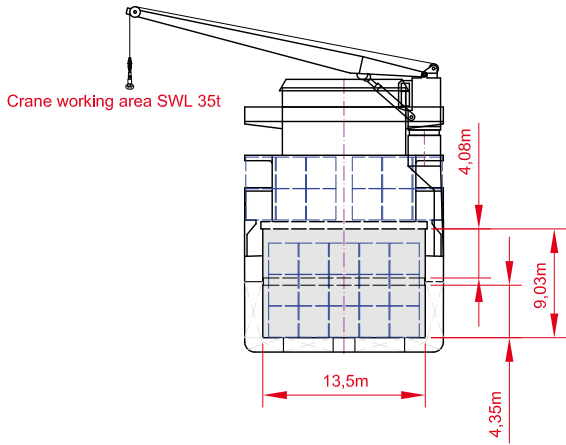
Cargo hold capacity	9,329 cbm / 329,450 cbft
Floor space under deck	2,093 sqm / 22,529 sqft
Floor space on deck	1,046 sqm / 11,259 sqft
Cranes	2 NMF cranes situated portside 60 mt capacity each / 120 mt capacity combined
Container intake	336 TEU nominal 330 TEU at 14 mt homogeneously loaded
Deck strengths per sqm	15.00 mt on tanktop 2.50 mt on tweendeck 1.75 mt on hatchcovers

>>> see reverse side for further info/details

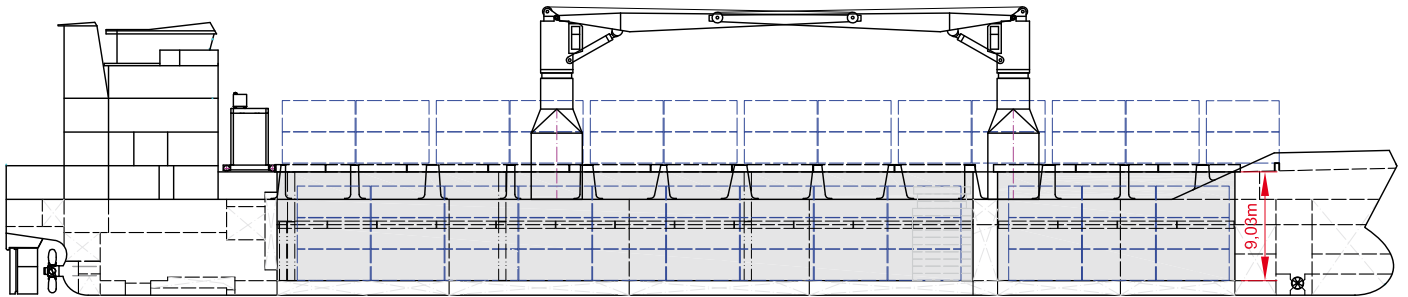
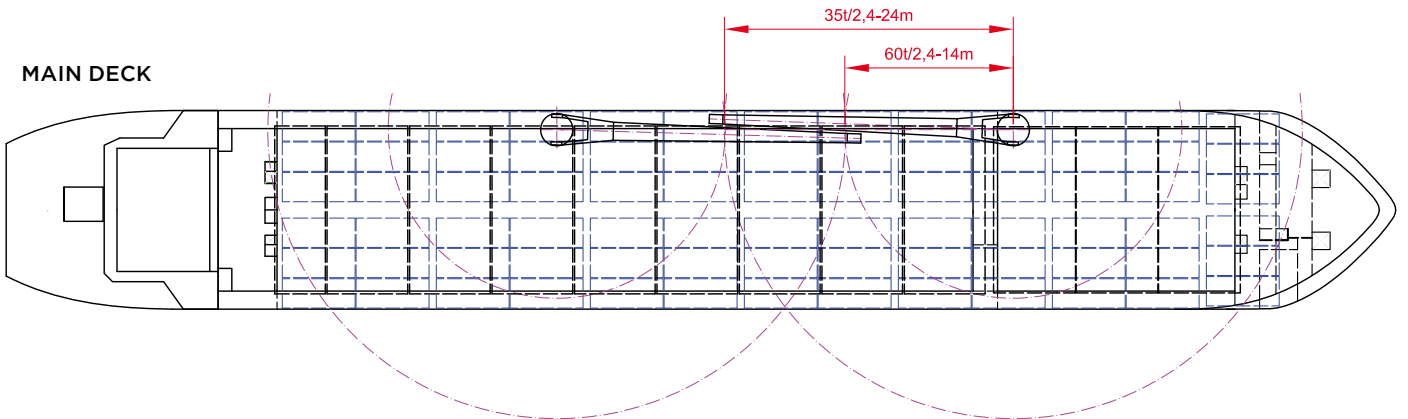
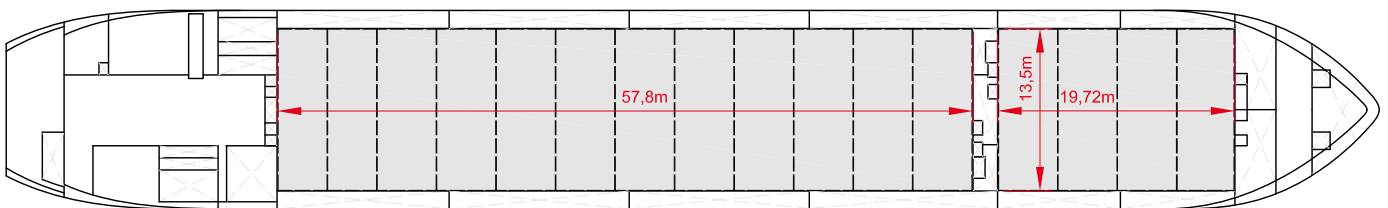
SPECIAL EQUIPMENT/FEATURES

Fitted for trading Australia.
Fitted for carriage of dangerous goods of all IMO classes.

Speed and consumption figures are calculated basis maximum Beaufort 2, no swell and no adverse currents. Consumption data assumes shaft generator and reefer plugs disconnected. Vessel is burning fuels according to ISO 8217-2005. Intake is always subject to vessel's stability, trim, permissible weights and is subject to regulations of visibility. Lifting capacity of vessel's cranes is subject to vessel's stability and can depend on cargo/ballast on board. Container data as well as bale capacity assumes tweendeck ashore. All details including speed and consumption are given in good faith and are „about“ and are given without guarantee. They must not be used as basis for charterparties or contracts without BBC's explicit written authority.



BBC Atlantic	Hollum
BBC Pacific	BBC Marmara
BBC Baltic	BBC Magellan
BBC Adriatic	BBC Ocean
BBC Caribbean	

SIDE VIEW

MAIN DECK

TWEENDECK

HOLDS & DOUBLE BOTTOM
