



Vessel name	Built	IMO no.	Flag	Vessel name	Built	IMO no.	Flag
BBC Everest	2011	9508407	German	BBC Olympus	2012	9508457	Tba
BBC Fuji	2011	9508419	German	BBC Rushmore	2012	9508469	Tba
BBC Kibo	2011	9508421	Antigua & Barbuda	BBC Vesuvius	2012	9508471	Tba
BBC Mont Blanc	2011	9508433	Antigua & Barbuda	BBC Vinson	2012	9508483	Tba

## MAIN DATA

Vessel type	Multipurpose Heavyliifter
Classification	GL + 100 A5 ICE E G BWM + MC E AUT
GT/NT	8,255 / 3,966
Deadweight (summer)	9,282 mt
Max. draft (summer)	7.60 m
Length o.a.	125.80 m
Breadth moulded	22.00 m
Depth to main deck	10.80 m
Height above keel	38.15 m
Speed	16.5 knots
Fuel consumption	24.0 mt 380-cst fuel per day at sea 1.5 mt MGO per day in port without gear 2.5 mt MGO per day in port with gear

## HOLDS/HATCHES/CRANES

Cargo hold capacity	12,391 cbm / 437,583 cbft
Floor space under deck	2,286 sqm / 24,606
Floor space on deck	1,245 sqm / 13,401
Cranes	2 NMF cranes situated portside 350 mt capacity each / 700 mt capacity combined
Container intake	660 TEU nominal 377 TEU at 14 mt homogeneously loaded 60 reefer plugs
Deck strengths per sqm	16.00 mt on tanktop in holds 1, 2 and 3 2.50 mt on tweendeck No. 1 3.00 mt on tweendeck No. 2 2.50 mt on deck hold No. 1 3.50 mt on deck hold No. 2

>>> see reverse side for further info/details

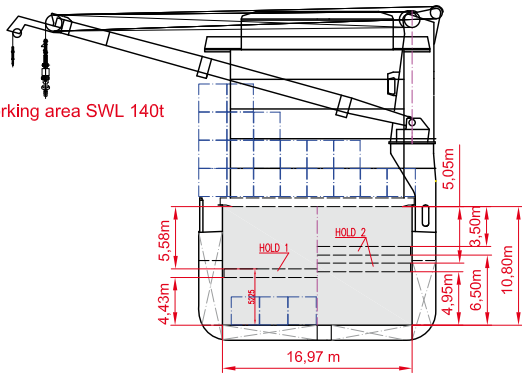
## SPECIAL EQUIPMENT/FEATURES

Fitted for trading Great Lakes and Australia.  
Fitted for carriage of dangerous goods of all IMO classes.

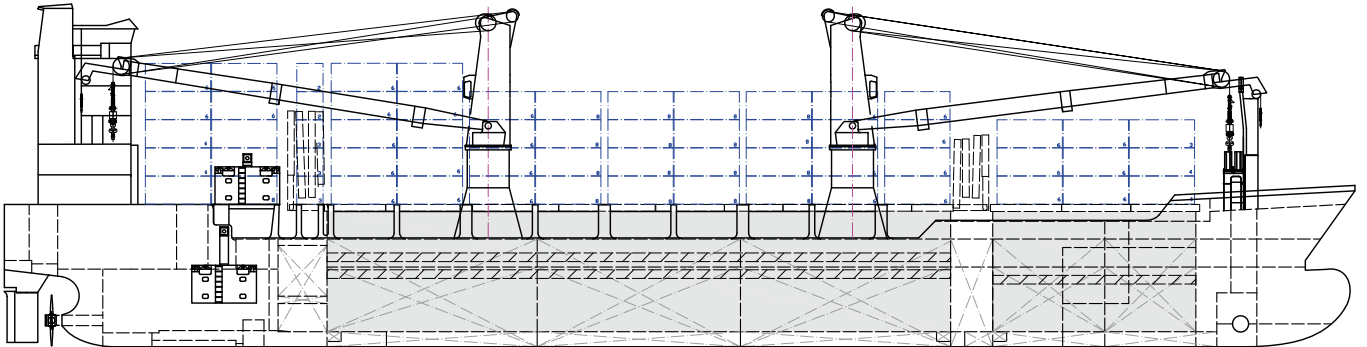
Speed and consumption figures are calculated basis maximum Beaufort 2, no swell and no adverse currents. Consumption data assumes shaft generator and reefer plugs disconnected. Vessel is burning fuels according to ISO 8217-2005. Intake is always subject to vessel's stability, trim, permissible weights and is subject to regulations of visibility. Lifting capacity of vessel's cranes is subject to vessel's stability and can depend on cargo/ballast on board. Container data as well as bale capacity assumes tweendeck ashore. All details including speed and consumption are given in good faith and are „about“ and are given without guarantee. They must not be used as basis for charterparties or contracts without BBC's explicit written authority.

BBC Everest	BBC Olympus
BBC Fuji	BBC Rushmore
BBC Kibo	BBC Vesuvius
BBC Mont Blanc	BBC Vinson

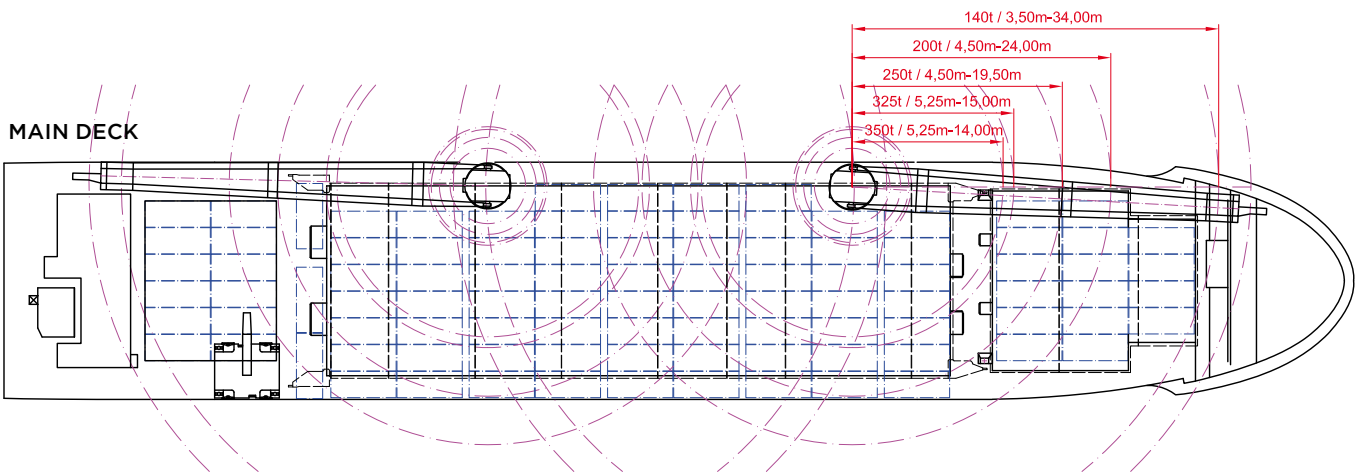
Crane working area SWL 140t



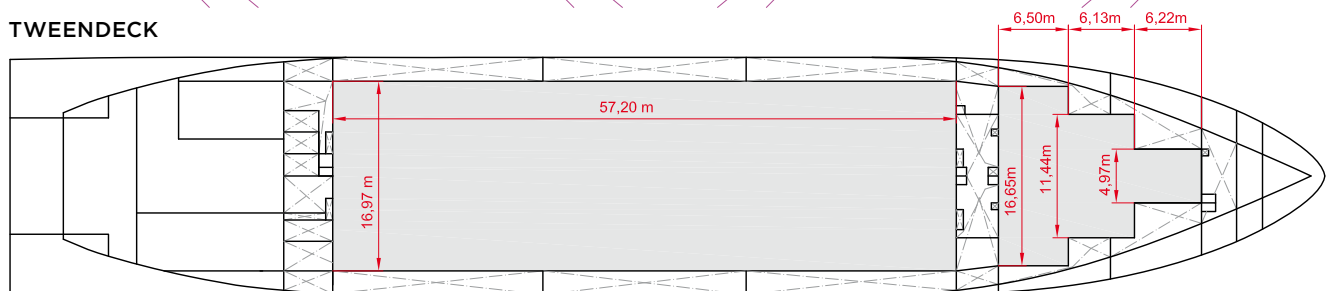
**SIDE VIEW**



**MAIN DECK**



**TWENDECK**



**HOLDS & DOUBLE BOTTOM**

